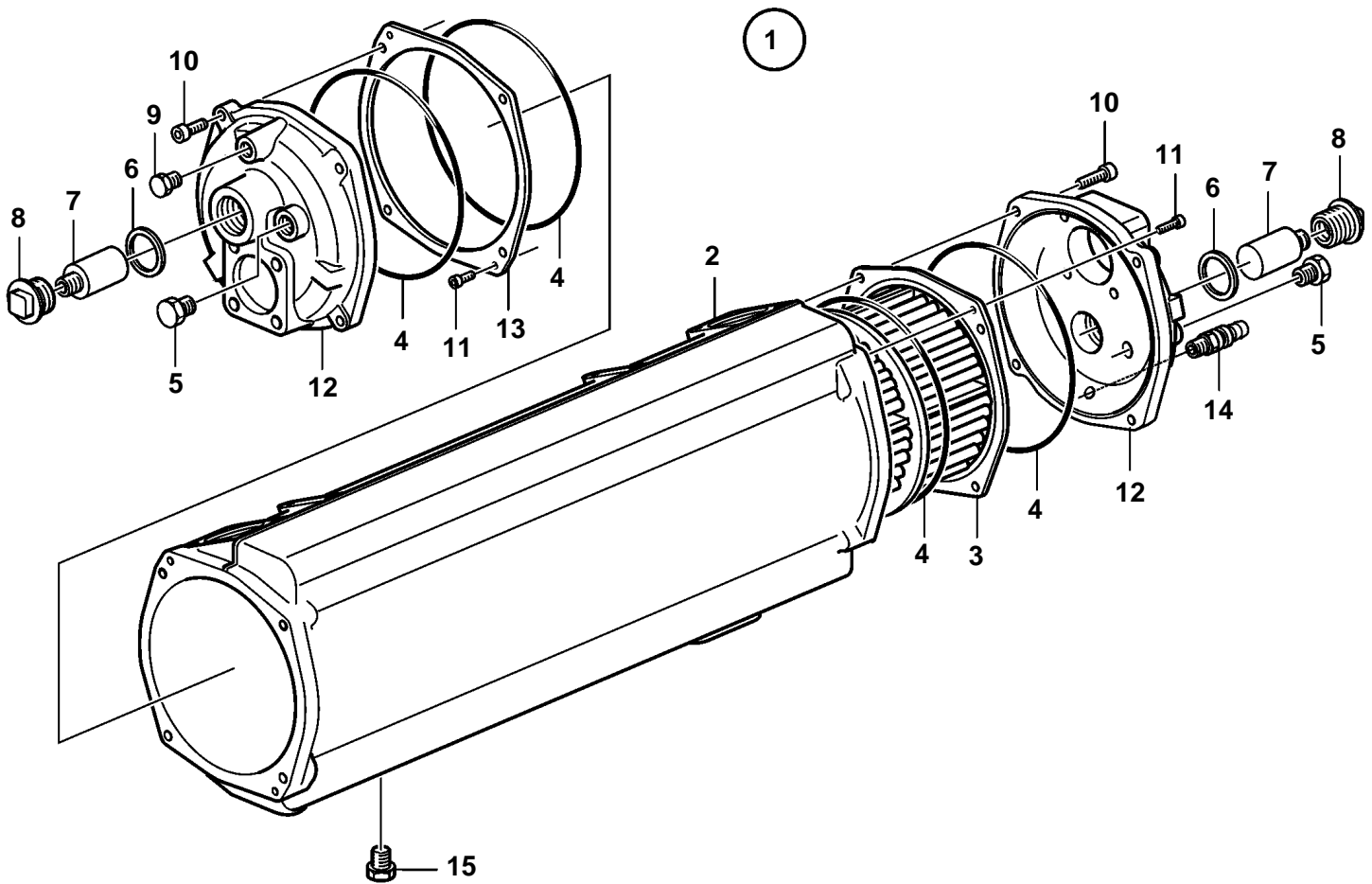


D16C-A MG



23231

D16C-A MG

REF	PART NO.	QTY	DESCRIPTION
1	3819408	1	Heat exchanger
2		1	· Heat exchanger housi
3	3830696	1	· Insert
4	3826783	4	· O-ring
5	982364	2	· Plug
6	836169	2	· Gasket
7	823661	1	· Zinc anode
8	823662	2	· Plug
9	982363	1	· Plug
10	959224	8	· Hex. socket screw
11	942001	4	· Hex. socket screw
12	3819410	2	· End plate
13	3830694	1	· Spacer
14	949918	1	Shut-off cock
15	982363	1	Plug